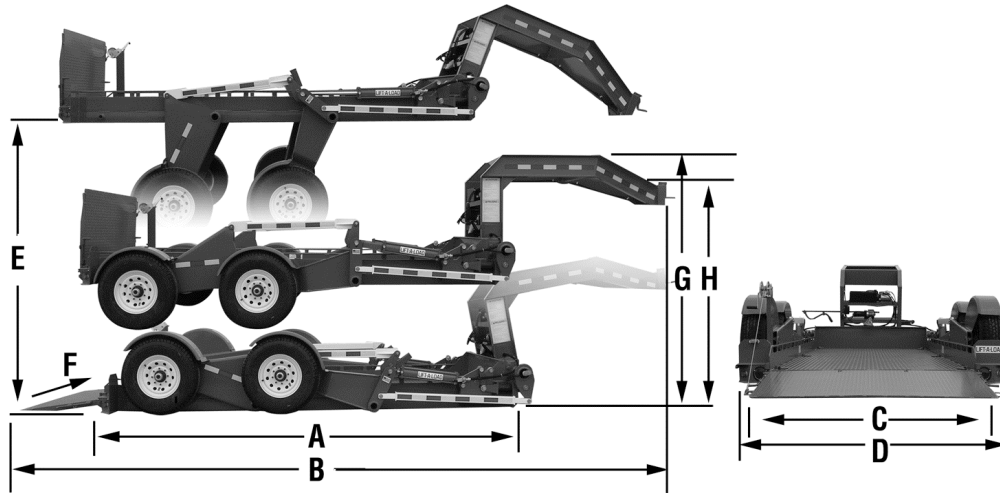


Dimensions and Loads



Dimensions:

A = 14' (168")
 B = 24' 10" (298")
 C = 5' 8" (68")
 D = 8' (96")
 E = 52" Top of Bed
 F = 8 Degree Load Angle
 G = 80" Trailer Transport Height
 H = 72" Bottom of G/N Transport Height
 Gooseneck Ball Height Range = 29" – 40" from ground

Loads:

10000 lbs Payload
 4854 lbs Trailer Weight
 1280 lbs Hitch Empty Weight
 2780 lbs Hitch Fully Loaded Weight
 14854 lbs GVWR
 Two (2), 6000 lb Axles

Note: Need to have minimum of 12" between bottom of Gooseneck and tailgate.

Specifications and Features (Base Trailer)

Ground to Travel to Dock Height	DOT Lights & Reflectors	16 x 6, 8 Bolt Modular Wheels
2-5/16" Ball Hitch	Grade 55 - 3/16" Diamond Plate Flooring	12" x 2" Electric Brakes on 4 Wheels
5" Frame Depth	Fold Down Transport Locks	Tie Downs (6)
ST235/80R16E Tire Size	Hydraulic Safety Valves	Rear Platform Support Jacks
36" Tailgate Ramp	Single Pin Grounded +12 VDC Power Cable	Breakaway Kit with Chains
DC Electric / Hydraulic Pump	Blue with White Trim Standard	Drop Leg Jack

Options

Xtra Bed Length p/ft09233	5/8" Tie Down Rail09216	Aux. Battery Holder.....03024 (Battery not included)
Xtra Bed Width 6"09238	Spare Tire Carrier03042	Special Paint Color09228 (Machinery Enamel Only)
Xtra Tie Downs09212	Spare Tire w/ Wheel06610	Jack Mounting Brackets.....11417
On-Board Power.....12396	Cargo Winch 8000#.....04417	
Tailgate Winch (Hand).....09221	Hydraulic Pump Cover.....03168	

Items for Tow Vehicle (Installation not Included)

2-5/16" Retractable Ball.....06450	Brake Controller06221
Truck Power Cable.....04351	