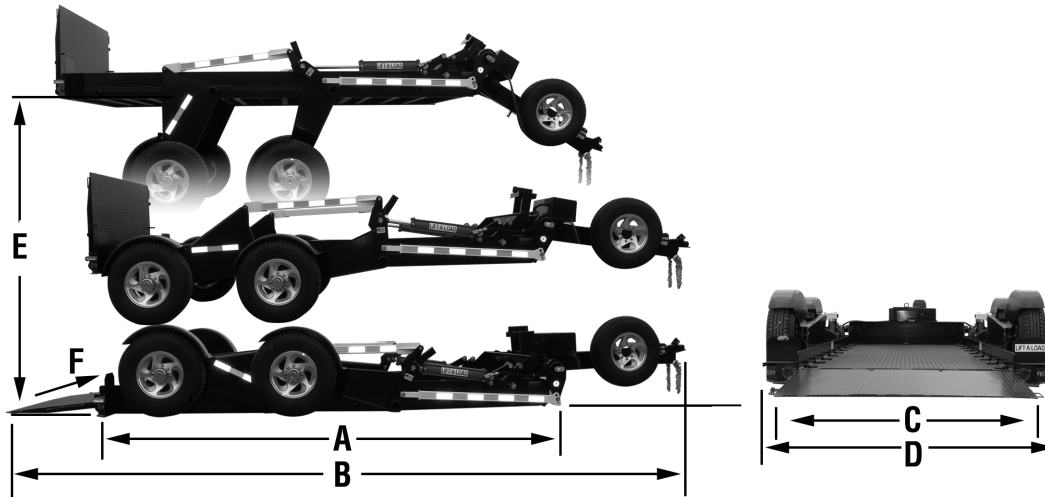


#### Dimensions and Loads



#### Dimensions:

A = 14' (168")  
 B = 24' 6" (294")  
 C = 5' 8" (68")  
 D = 8' (96")  
 E = 52" Top of Bed  
 F = 6.5 Degree Load Angle

#### Loads:

7500 lbs Payload  
 4000 lbs Trailer Weight  
 800 lbs Hitch Empty Weight  
 2050 lbs Hitch Fully Loaded Weight  
 11500 lbs GVWR  
 Two (2), 6000 lb Axles

#### Specifications and Features (Base Trailer)

Ground to Travel to Dock Height	DOT Lights & Reflectors	16 x 6, 8 Bolt Modular Wheels
2 -5/16" Ball Hitch	Grade 55 - 3/16" Diamond Plate Flooring	12" x 2" Electric Brakes on 4 Wheels
4" Frame Depth	Fold Down Transport Locks	Tie Downs (6)
ST235/80R16E Tire Size	Hydraulic Safety Valves	Rear Platform Support Jacks
36" Tailgate Ramp	Single Pin Grounded +12 VDC Power Cable	Breakaway Kit with Chains
DC Electric / Hydraulic Pump	Blue with White Trim Standard	Tongue Jack

#### Options

Xtra Bed Length p/ft ..... 09232	5/8" Tie Down Rail .....09216	Aux. Battery Holder.....03024 (Battery not included)
Xtra Bed Width 6" ..... 09237	Spare Tire Carrier .....01147	2-1/2" Pintle Hitch .....04348
Xtra Tie Downs .....09212	Spare Tire w/ Wheel .....06610	Special Paint Color .....09228 (Machinery Enamel Only)
On-Board Power ..... 12396	Cargo Winch 8000# .....04413	
Tailgate Winch (Hand).....09221	Hydraulic Pump Cover.....03168	
Power Cord Option ..... 12783		

#### Items for Tow Vehicle (Installation not Included)

2-5/16" High Rise Ball ..... 06203	Brake Controller ..... 06221
Truck Power Cable ..... 04351	