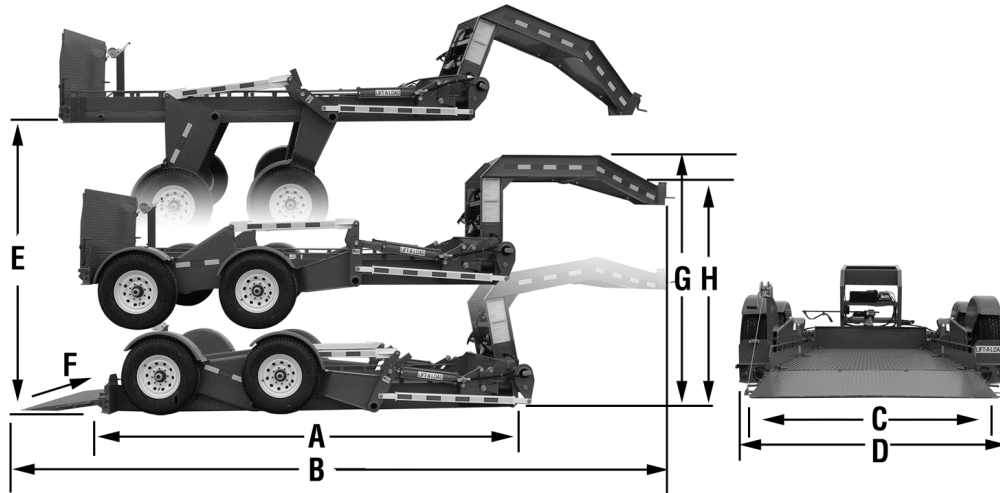


Dimensions and Loads



Dimensions:

A = 15' (180")
 B = 27' 9" (331")
 C = 5' 2" (62")
 D = 8' (96")
 E = 52" Top of Bed
 F = 9.5 Degree Load Angle
 G = 77" Trailer Transport Height
 H = 65" Bottom of G/N Transport Height
 Gooseneck Ball Height Range = 26.25" – 34.75" from ground

Loads:

15000 lbs Payload
 6940 lbs Trailer Weight
 1880 lbs Hitch Empty Weight
 4130 lbs Hitch Fully Loaded Weight
 21940 lbs GVWR
 Two (2), 9000 lb Axles

Note: Need to have minimum of 17" between bottom of Gooseneck and tailgate.

Specifications and Features (Base Trailer)

Ground to Travel to Dock Height	DOT Lights & Reflectors	17.5 x 6.75 8 Bolt Disc Wheels
3" Ball Hitch	Grade 55 - 3/16" Diamond Plate Flooring	12 -1/4"x3-3/8" Electric Brake on 4 Wheels
8" Frame Depth	Fold Down Transport Locks	Tie Downs (6)
215-75R17.5H Tire Size	Hydraulic Safety Valves	Rear Platform Support Jacks
48" Tailgate Ramp	Single Pin Grounded +12 VDC Power Cable	Breakaway Kit with Chains
DC Electric /Hydraulic Pump	Blue with White Trim Standard	Drop Leg Jack
	Tailgate Hand Winch	

Options

Xtra Bed Length p/ft09234	Spare Tire Carrier.....09219	5/8" Tie Down Rail09217
Xtra Bed Width 6"09239	Spare Tire w/ Wheel02961	Hydraulic Pump Cover.....03173
Xtra Tie Downs09213	Cargo Winch 8000#.....09220	Special Paint Color09229
On-Board Power.....12396	Aux. Battery Holder03024	(Machinery Enamel Only)
	(Battery not included)	Jack Mounting Brackets.....11417

Items for Tow Vehicle (Installation not Included)

3" Hitch Ball06449	Brake Controller06221
Truck Power Cable.....04351	