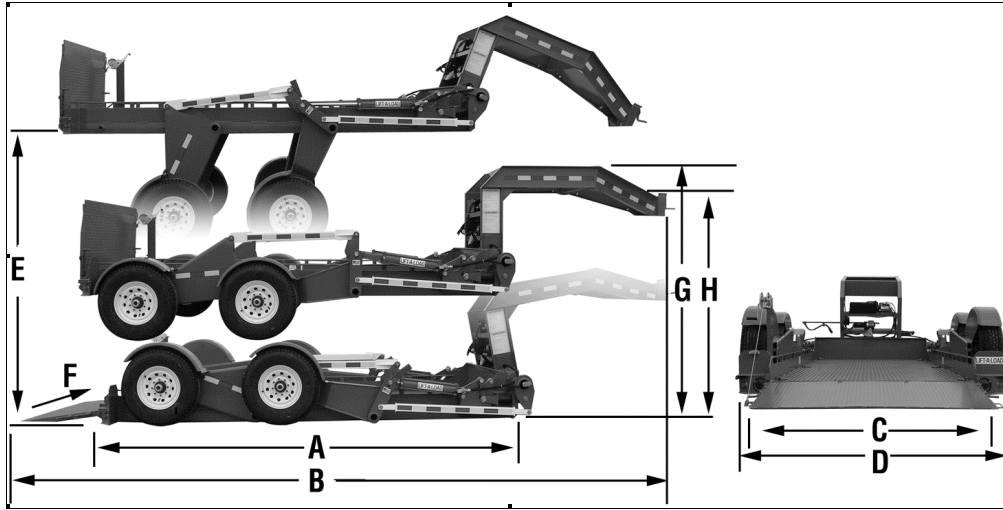


#### Dimensions and Loads



#### Dimensions:

A = 14' (168")  
 B = 24'10" (298")  
 C = 5'8" (68")  
 D = 8' (96")  
 E = 52" Top of Bed  
 F = 6.5 Degree Load Angle  
 G = 79" Trailer Transport Height  
 H = 72" Bottom of G/N Transport Height  
 Gooseneck Ball Height Range = 29" – 40" from ground

#### Loads:

7500 lbs Payload  
 4125 lbs Trailer Weight  
 933 lbs Hitch Empty Weight  
 2058 lbs Hitch Fully Loaded Weight  
 11625lbs GVWR  
 Two (2), 6000 lb Axles

Note: Need to have minimum of 12" between bottom of Gooseneck and tailgate.

#### Specifications and Features (Base Trailer)

Ground to Travel to Dock Height	DOT Lights & Reflectors	16 x 6, 8 Bolt Modular Wheels
2-5/16" Ball Hitch	Grade 55 - 3/16" Diamond Plate Flooring	12" x 2" Electric Brakes on 4 Wheels
4" Frame Depth	Fold Down Transport Locks	Tie Downs (6)
ST235/80R16E Tire Size	Hydraulic Safety Valves	Rear Platform Support Jacks
36" Tailgate Ramp	Single Pin Grounded +12 VDC Power Cable	Breakaway Kit with Chains
DC Electric / Hydraulic Pump	Blue with White Trim Standard	Drop Leg Jack

#### Options

Xtra Bed Length p/ft ..... 09232	5/8" Tie Down Rail ..... 09216	Aux. Battery Holder..... 03024
Xtra Bed Width 6" ..... 09237	Spare Tire Carrier ..... 03042	(Battery not included)
Xtra Tie Downs ..... 09212	Spare Tire w/ Wheel ..... 06610	Special Paint Color ..... 09228
On-Board Power..... 12396	Cargo Winch 8000#..... 04417	(Machinery Enamel Only)
Power Cord Option.....12783	Hydraulic Pump Cover.....03168	Jack Mounting Brackets..... 11417
		Tailgate Winch (Hand).....09221

#### Items for Tow Vehicle (Installation not Included)

2-5/16" Retractable Ball..... 06450	Brake Controller ..... 06221
Truck Power Cable..... 04351	